

## Motion Transfer Aid

### Instruction Manual

Users with visual, reading or cognitive disabilities should seek advice from a professional care provider for an appropriate format. If this is not viable, users should contact their provider or Drive DeVilbiss Healthcare Ltd.

#### Introduction

The Motion Transfer Aid helps a carer or assistant to assist a patient or user to stand and/or transfer to another seat, bed, wheelchair, toilet or commode, by standing and turning.

It can be used for short distance transfers (e.g. moving the user to the position required on a nearby chair). It is not designed for long distance transfers.

It is designed for individual patient use up to 150kg (24 stone) and should only be propelled by the carer or attendant.

#### Intended Purpose

To aid an assistant to transfer a user from a seated to a standing position and as necessary back to a seated position.

#### Intended Users

Any mobility restricted user who is up to 150kg.

#### Indications

To provide mobility to a user who has difficulty standing and/or lowering to a seated position due to an injury, physical disability or medical condition.

#### Contra-Indications

- User unable to weight bear
  - User has weak grip
  - User exceeds maximum patient weight
- Other contraindications may be relevant which are specific to the individual and/or environment of use.

#### Carton Contents

1. Wheeled base
2. Main frame tubing
3. Plastic tubing bracket
4. Handwheel and locking nut
5. Knee pad bracket
6. Chrome upright tubes



#### Parts Description



#### Assembly Instructions

1. Unpack and place wheeled base on the floor. Lock the brakes on by pressing down one of the red pads.



2. Place the plastic tubing bracket over the chrome upright tube. Ensure the hole is facing the rear of the frame. The parts are labelled L and R to aid assembly.

3. Secure the chrome tube and bracket using the handwheel and locking nut. Repeat for the opposite side of the base.



4. Squeeze the webbing strap on the knee pad bracket to allow the bracket to slide over the chrome tubing. Release the strap and move the knee pad bracket down until it locks in the required position. (See height adjustment section).



5. Slide the main frame tubing into the chrome upright tubes.



6. Press the push buttons to allow the tubing to slide down further and lock into position.

### Height Adjustment

The transfer aid includes two PU pads to support the user's lower leg, which can be adjusted in height to suit the individual user.

To adjust the height of the knee pad bracket, squeeze the webbing strap to allow the catches to unlock. Then move the bracket until locked in the required position.

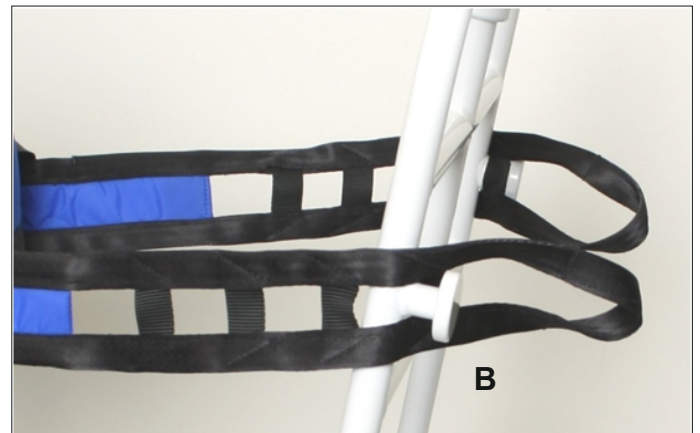
The lower leg supports can also be adjusted in angle to suit the user by simply tilting up or down as required.



### Sling Location Anchors

If additional support & security is required by the user, a feeder sling can be fitted by the carer to the user.  
(Codes: 4401BE [small], 4402BE [medium] & 4403BE [large]).

There are 4 small square loops on each side of the feeder sling, for multiple adjustment, which can be attached to the central, vertical hook (A) or the sling anchors (B) on opposite sides of the frame.



### Brake Operation

**The brakes should be applied by the assistant before the user mounts or dismounts the transfer aid.**

The brakes on both wheels are operated by one foot. Press down on either the right-hand side or left-hand side RED pad to lock the brake. Press either GREEN pad to unlock the brake.



## Transferring the Patient

**The details below are only suggestions. Moving and handling instructions should only be given by your healthcare professional.**

**The user must be able to bear weight and a risk assessment of the user's ability should be done prior to operation.**

**Please read all the information herein before use.**

The Transfer aid helps an assistant to assist a patient or user stand and/or transfer to another seat, bed or wheelchair, by standing and turning.

1. Position the user so they are sat in a chair, wheelchair or on the edge of the bed.  
If the user is sat on a wheelchair, ensure the brakes are applied on the wheelchair and the leg rests removed or swung, out prior to transfer.
2. The assistant should position the device so that the user or assistant can place the user's feet on the left and right foot symbols on the footplate. Once the user's feet are on the footplate, the assistant should apply both brakes.
3. The assistant should position the height of the lower leg support so that the tops of the pad are just below the knees of the user.
4. The assistant should stand behind the device and support / counterbalance it whilst the user uses the handle to support themselves, whilst they stand on the footplate and move from a sitting position to a standing position. Please see diagram below.



5. Once the user has securely reached a standing position, the assistant should release the brakes and move the transfer aid into the correct position so the user is ready to lower into the required seat. The assistant should move the transfer aid using the handle. The device should move freely.

**Note: Do not tilt or lever the transfer aid. The whole footplate should remain in contact with the floor at all times.**

6. Once near the required seat, the user should have their back to the seat and be able to feel the edge of the seat on the back of their legs.
7. The assistant should apply the brakes and steady the device. The user can then use the handle tubing as support, whilst lowering into the new seat.

## Safety Precautions

**Moving and handling instructions should only be given by your healthcare professional.**

The user must be able to bear weight and a risk assessment of the user's ability should be done prior to operation.

Do not tilt or lever the transfer aid. The whole footplate should remain in contact with the floor at all times.

The unit is designed for indoor use and should only be used on a level surface.

The device is designed to aid users to turn and move from one seat to another. It is not designed to porter patients or users. Other solutions must be used to move users over longer distances.

The assistant must always apply counter-pressure when the user is standing up, sitting down or transferring.

Do not exceed the maximum user mass of 150kg (24 stone).

The brakes should always be applied when the transfer aid is stationary.

If using the device to move a patient to or from a wheelchair, the brakes on the wheelchair must always be applied and the leg rests removed or swung out.

Ensure both the assistant and user wear suitable footwear.

Do not leave a user unattended on the device.

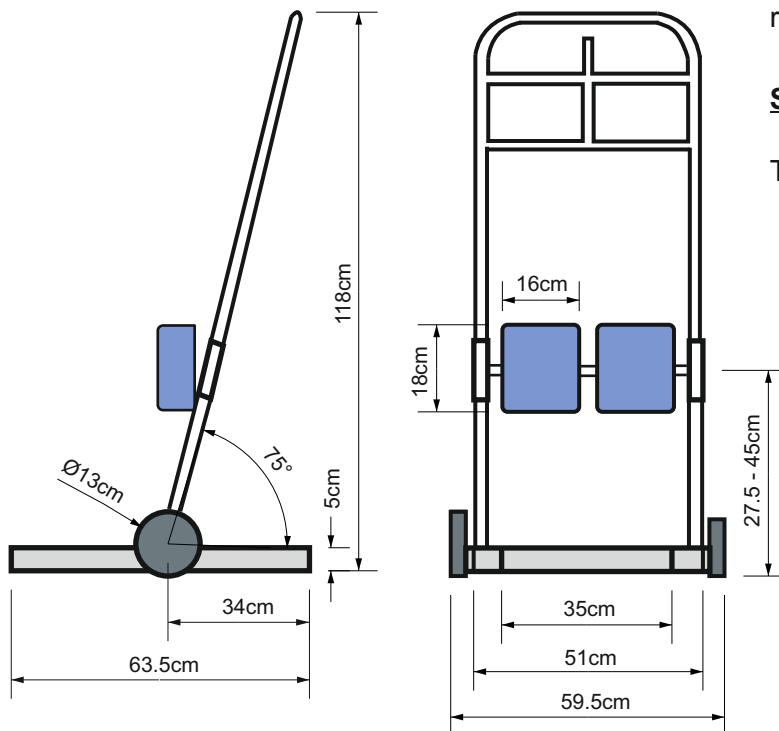
## Maintenance

Frames require an occasional wipe over with a soft cloth, using a general purpose neutral detergent and warm water.

Periodically check the following:

- Castors are securely fitted, the wheels run smoothly, and there is no sign of corrosion, damage or debris in the mechanisms.
- Brakes work securely and easily and there are no signs or wear, corrosion or debris.
- Check the lower leg support bracket adjusts smoothly and securely, and look for signs of wear to the two polyurethane pads.
- Ensure the handle is secure

## Specification



Maximum User Weight: 150kg (24 stone)

## Symbol Definitions



Maximum User Mass



Medical Device

## Warranty

The patient turner comes with a one year manufacturer's warranty to cover design and manufacturing defects.

This does not include accidental damage, damage as a result of misuse and/or wear and tear.

Please contact Drive DeVilbiss Healthcare for full warranty conditions.

This does not affect your statutory rights.

Any serious incident that has occurred in relation to the device should be reported to the manufacturer and the MHRA or competent authority of your Member State. Please quote the product serial code on all correspondence.

## Recycling and Disposal

The cardboard, steel and plastic components are to be separated and disposed of following the local recycling policy as these can be recovered and recycled.

## Service Life

The expected service life of the device is 5 years.

REF

**PR31PT006**



Yingkou Henyi Flow Control Inc.  
Xilanqi, Hongqi Town, Bayuquan District, Yingkou City,  
Liaoning Province, CN

EC REP

Sungo Europe B.V.  
Fascinatio Boulevard 522, Unit 1.7,  
2909VA Capelle aan den IJssel, NL

UKRP

Sungo Certification Company Limited.  
70 Gracechurch Street, London, EC3V 0HR, GB



Drive DeVilbiss Healthcare Ltd.  
Sidhil Business Park, Holmfield, Halifax, West Yorkshire,  
HX2 9TN, Great Britain

Drive DeVilbiss Sidhil Ltd.  
4 Trench Road, Mallusk, Newtownabbey,  
BT36 4TY, Northern Ireland

Tel: 0845 0600 333 | Fax: 0845 0600 334

Email: [info@drivedevilbiss.co.uk](mailto:info@drivedevilbiss.co.uk)

[www.drivedevilbiss.co.uk](http://www.drivedevilbiss.co.uk)



Issue: 2023-12 Rev3